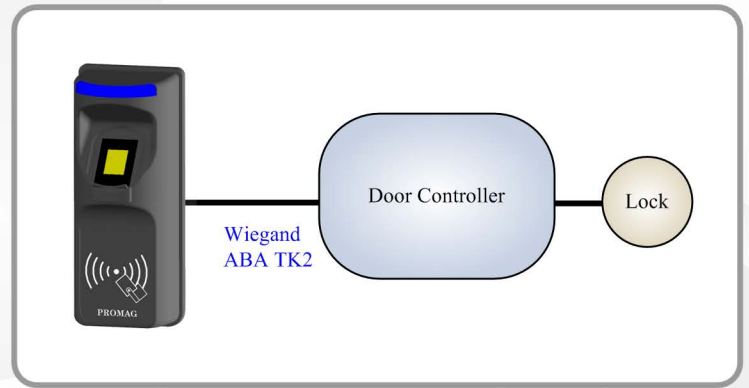


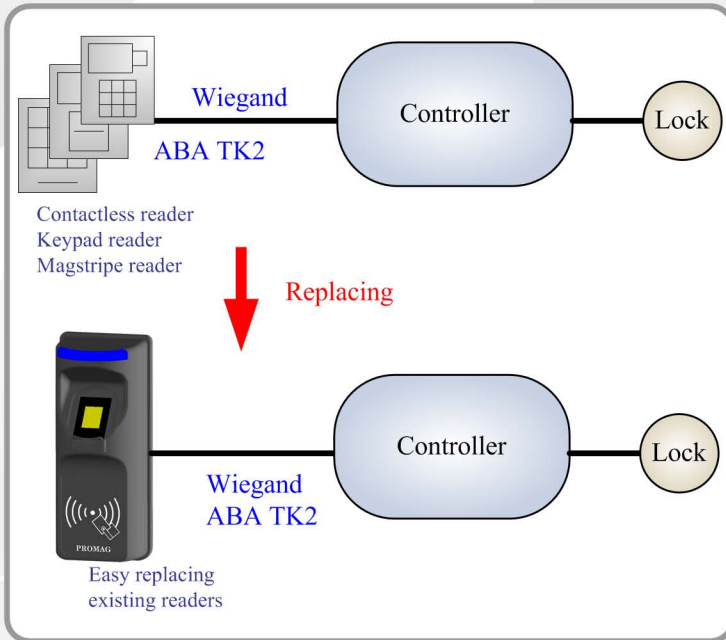


SmaFinger[®]

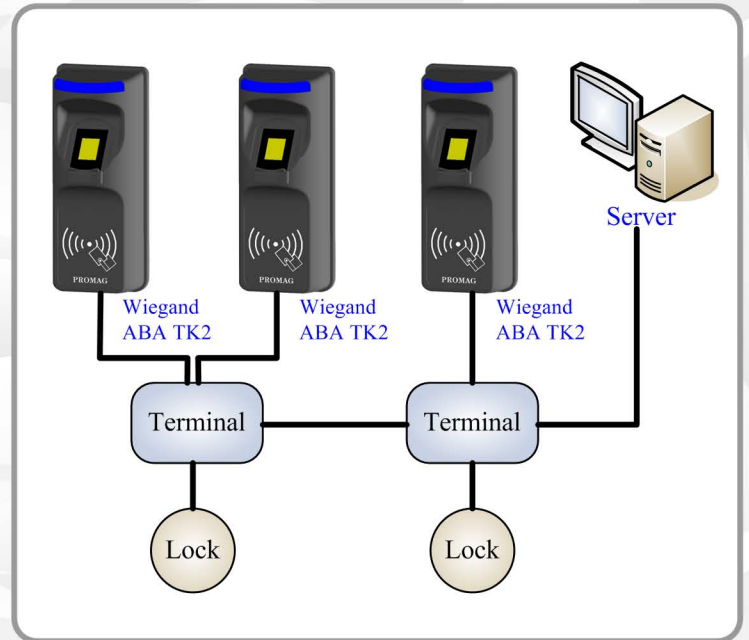
Configuration



Standalone

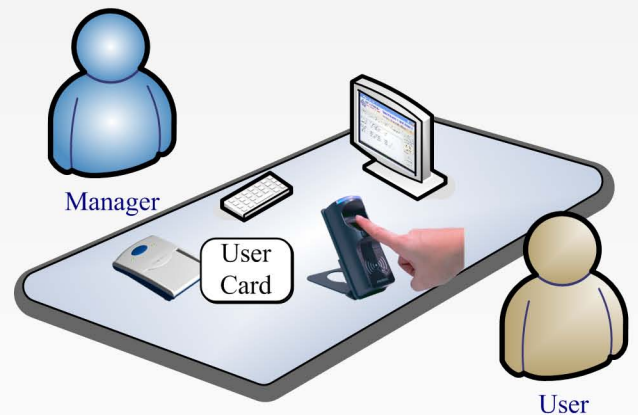


Replacing Existing Reader



Network

Usage



Enrollment



Biometrics



Standalone

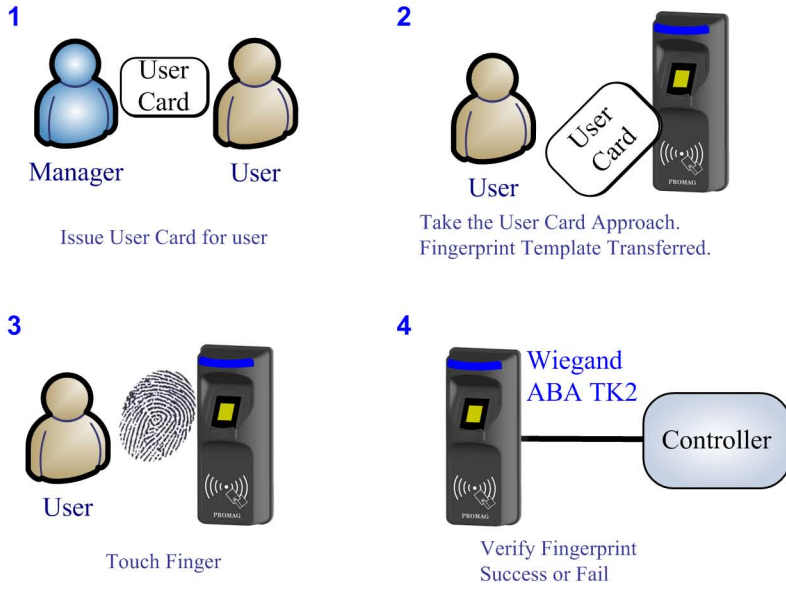


Security

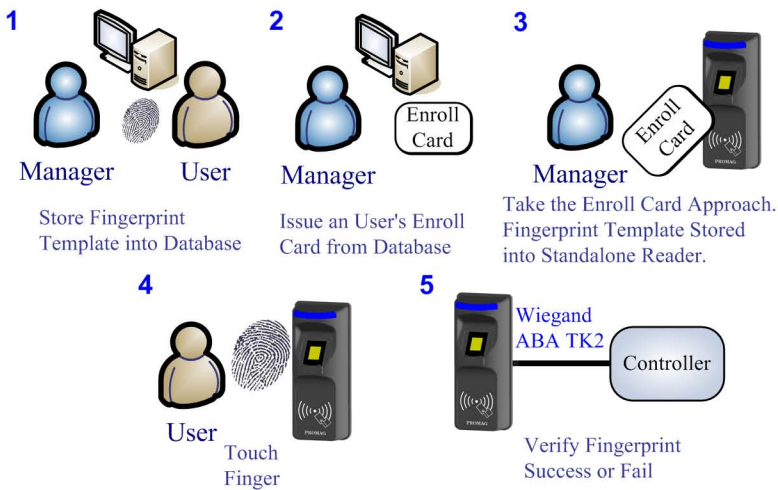


Easy Replacing

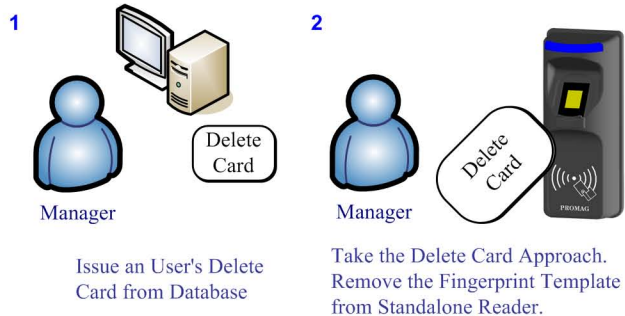
Usage for Card + Finger



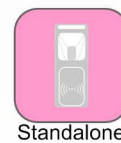
Usage for Finger Only and Add User



Delete User



Biometrics



Standalone



Security



Easy Replacing



SmaFinger is a fingerprint reader developed on the so-called contactless smart card 13.56 Mhz RFID technology. The integration of biometric technology by fingerprint identification and 13.56Mhz RFID technology makes SmaFinger be capable of biometric and contactless performance without spending large amount of expenses in running system upgrading with fingerprint system extension. On the aspect of personal privacy issue, SmaFinger provides the high secure of protection on privacy concern because every fingerprint is stored on a card. Also the reader itself supports Mifare MAD1/MAD2 format to make user end be able to issue their customized ID cards.

Three Access Modes

- * Card Only
- * Card + Fingerprint
- * Fingerprint only

Mode of Fingerprint only is also able to access functions of card enrollment and deletion. No need to apply extra on-line system or equipment to build up the fingerprint database.

Applications

- * Time attendance.
- * Access control and Hotel locker management.
- * Credit card or card cash.
- * Membership card.
- * Drive license or personal ID identification.
- * Log in system.
- * Wiegand devices or ABA-TK2 compatible.

Keynotes

High secure of protection for loss of ID card (Unduplicated).

Card + Fingerprint supports limitless fingerprint capacity.

Featuring 3 interfaces in one devices - Wiegand, RS232 and ABA-TK2.

Low risk of privacy intrusion

Supports Mifare MAD 1/MAD 2 format, available for customized definitions and card issuing.

| SmaFinger | Model No. | | SF500 | SF600 |
|-------------|-----------------------------------|------------------------|---|------------------------------|
| | Application | | Standalone Mifare Sector Reader | |
| Access Mode | Card Only | | Supported | |
| | Card + Fingerprint | Enroll Mode | No Need | |
| | | Fingerprint Capacity | Unlimited | |
| | | Fingerprint Validation | 1:1 | |
| | | Performance | Security | |
| | Fingerprint Only | Enroll Mode | RS232 or Enroll Card | |
| | | Fingerprint Capacity | 10 | 1900 |
| | | Fingerprint Validation | 1:10 | 1:N |
| Performance | | Friendly | | |
| Mifare Card | Max Fingerprint Template Capacity | | 2 | |
| | Mifare Card Type | | 1K /4K | |
| | Card Format | | For MAD1/MAD2 Only | |
| Reader | Configurable Interface | | RS232 : 2400~57600 bps Wiegand: 26~128 bits ABA-TK2: 2~24 Digital Codes | |
| | Identification speed | | <2 sec (1:1) <5 sec (1:10) | <1 sec (1:1) <3 sec (1:N) |
| | Mifare Read Distance | | Max. 50mm | |
| | Power Consumption | | Max. 200mA @ DC12V | |



集佳股份有限公司
GIGA-TMS INC.

8F, No. 31 Lane 169, Kang-Ning St,
Hsi-Chih, Taipei County, Taiwan 221

Tel: + 886-2-26954214

Fax: + 886-2-26954213

E-mail: promag@gigatms.com.tw

URL: www.gigatms.com.tw

SmaFinger® TCP/IP RFID Fingerprint Reader

SmaFinger 650 is a biometric fingerprint reader that identifies users by fingerprints as well as ID cards. It also comes with a fingerprint + card option that can store digitized fingerprints on the card instead of system database. While having all the features and functions of other fingerprint readers sold in the market, what makes SF650 stand out is its fast response fingerprint reading feature. You might have experienced readers that are slow to read correctly placed fingers or failing to read instances of angular placement but thanks to Advanced Minutiae Based Algorithm (AMBA) and GIGA-TMS exclusive engineering, SF650 is the fastest recognizing fingerprint reader in its class and its quick response time has impressed our satisfied customers – both system integrators and end users.



Specifications:

| | |
|------------------------------|---|
| Standard communication | TCP/IP (10/100 Base) , RS232, RS485, Wiegand, ABA TK2 |
| RF characteristic | 13.56MHz ISO14443A |
| Voltage | Operating DC9-20V |
| Power consumption | Max 200mA@ DC12V |
| Reading distance | Up to 5 cm (Mifare card 1K/4K) |
| Dimension | 130L x 54W x 43H |
| Internet protocol | TCP, UDP, DHCP-client, SNMP, UPnP, Locator |
| Inside server | Web server, GNetplus, NET |
| Supported browser | IE, Safari, Firefox, Chrome |
| Indicator | LED 3 colors |
| Mifare Application directory | Configurable MAD1, MAD2 |
| Fingerprint | Capacitive (Sensor type) |
| Enrollment | Card only, Fingerprint only, Card + Fingerprint |
| Template capacity | 1900 (Fingerprint) |
| Resolution | 508 dpi (Fingerprint sensor) |

* Specification is subject to change without notice.



Order information:

SF650 Capacitor type
 SF650-OP Optical type

GIGA-TMS INC.

8F, NO. 31, LANE 169, KANG-NING STREET,
 HSI-CHIH DIST, NEW TAIPEI CITY, TAIWAN
 Tel: 886-2-26954214 Fax: 886-2-26954213
<http://www.gigatms.com.tw/>
 Email: promag@gigatms.com.tw
promag@ms24.hinet.net